

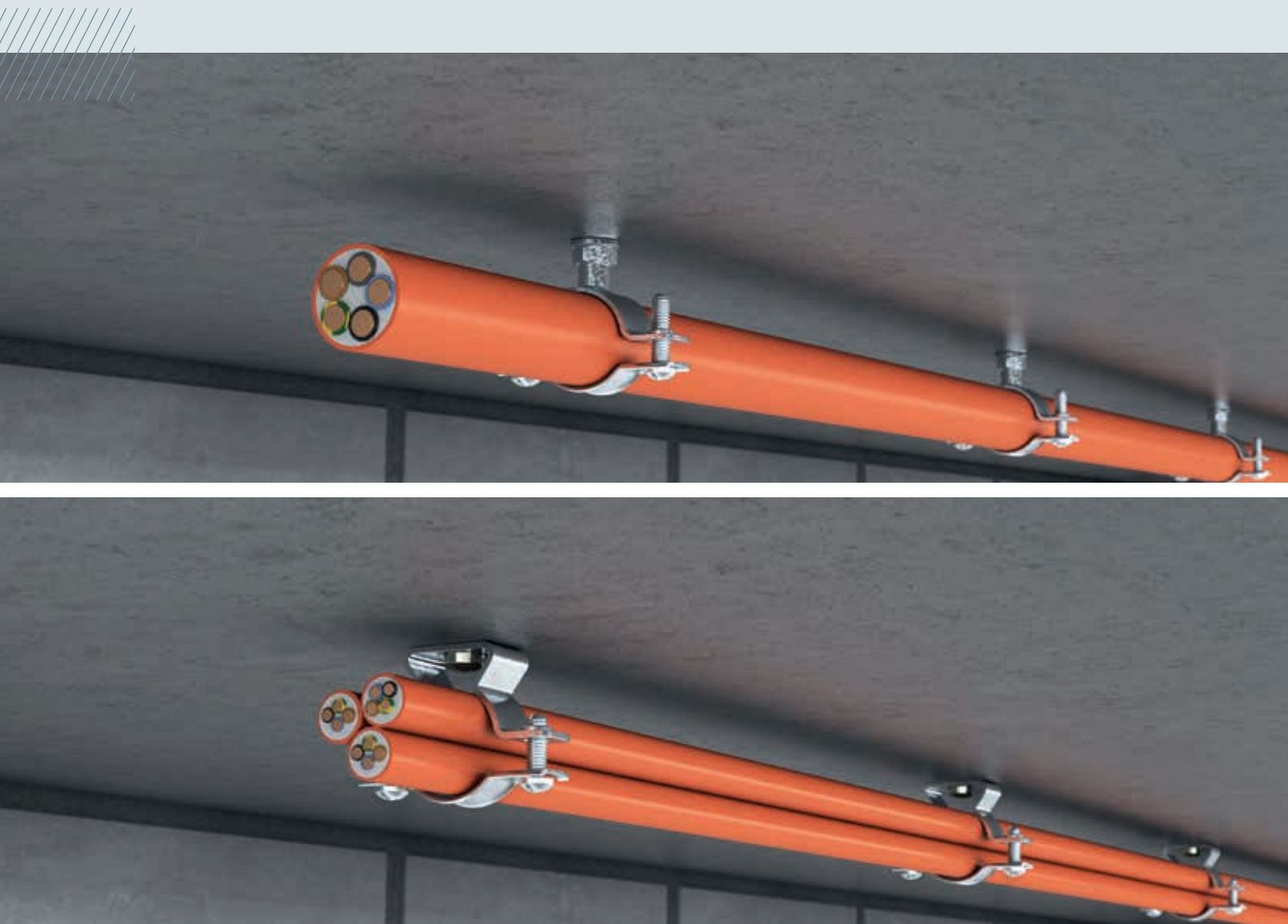
Spacer clips ASG 732 and ASL 733

For more flexibility and secure fastening of
cables and pipes to walls, floors and ceilings

Increased flexibility with the same functionality

Slimmed-down product range and increased flexibility

Get the building site ready for the ASG 732 and ASL 733 spacer clips: Our previous range of spacer clips has been completely revised and replaced with two new clip types. The two new clip types, ASG 732 and ASL 733, stand out through a broader choice of materials and surfaces, more use options in more installation environments, and an expanded clip clamping range, through which the number of variants could be reduced.





Your advantages at a glance

- Slimmed-down product range with the same high functionality
- More use options through a greater range of materials
- Optimised clip shape and expansion of the clamping range
- Installation advantage and flexibility on the construction site
- Self-locking clip upper part
- Good cable protection after installation

Tested and approved for the maintenance of electrical function of classes E30 to E90 according to DIN 4102 Part 12

E30

E60

E90

More surfaces. More use options.

The new portfolio stands out through the range of materials: Besides being available in galvanised and A4 stainless steel versions, the ASG 732 is now also available with a hot-dip galvanised surface and in A2 stainless steel. The clips of type ASL 733 are also machined in aluminium.

More robust and resistant to wear.

The more robust surfaces make it possible: The spacer clips stand out through their very high resilience and load-bearing capacity. In particular, the stainless steel variants are extremely robust, as they do not get deformed as often and have a greater resistance to corrosion.

Optimised clip shape

The simple solution for a wide range of requirements

With the new spacer clips, the clip shape was optimised in order to cover an even greater clamping range. This is achieved by the clip base, which was constructed so as to be higher.

The result: One clip can now accept a larger range of cable and pipe diameters. In this way, we were able to slim down the product range considerably. Nonetheless, all the available cable and pipe diameters include the movement range of the upper parts. The necessary range of clips on the building site has been noticeably reduced and, at the same time, means simplification in both procurement and storage.

Clip type ASG 732

- For cable diameters from 8 to 63 mm
- 11 different clip sizes
- In G, FT, A2 and A4 versions

Clip type ASL 733

- For cable diameters from 6 to 63 mm
- 14 different clip sizes
- In G, FT, Alu, A2 and A4 versions

G

FT

Alu

A2

A4





Spacer clips of the types ASG 732 and ASL 733* in the versions G, FT, A2 and A4 are tested and approved for the maintenance of electrical function classes E30–E90 according to DIN 4102 Part 12.

*from a clamping area of 17–20 mm



Optimised details

Fine details make life easier

Small beading, large impact

The spacer clips are now equipped with a self-locking upper part, which can be used universally for both clip types. Worked-in beading ensures that the clip upper part cannot come undone – even if the connection screw were to come loose due to mechanical influences. In addition, the beading serves as cable protection during and after cable routing.

Fastening made easy

The material used to fasten the spacer clips is fully dependent on the type and substrate. The ASG 732 spacer clips have a shaft with a female thread, using which the clips can be screwed tight to bolt ties, angler anchors or sprint screws in the substrate. By contrast,

clips of type ASL 733 can be mounted using a slot with standard fastening materials. In the sizes 8–17mm, they possess protrusions in the base – so-called ribs – through which the anchors and screw head can be passed easily.

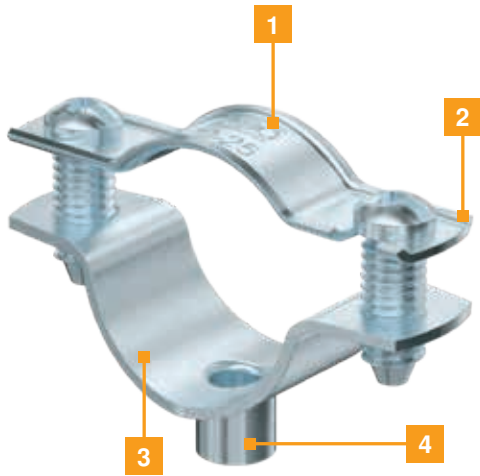
More mounting options

Besides direct wall mounting, the spacer clips can also be fastened on components such as profile rails or cable sections.



System overview

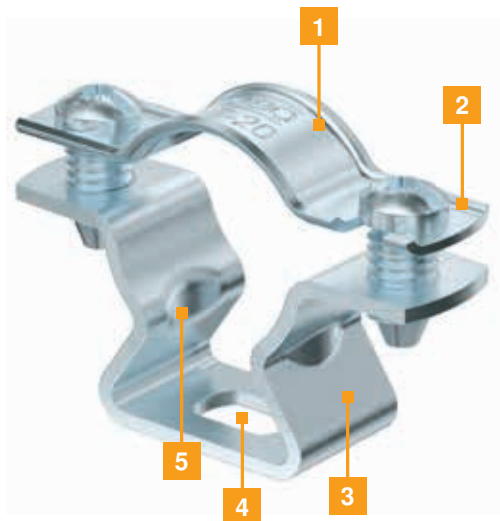
Spacer clips ASG 732 and ASL 733



Type ASG 732

- 1 Upper part
- 2 Upper part beading
- 3 Base
- 4 Shaft with female thread M6

ASG 732	G, FT, V2A, V4A	
	Clamping range	Max. tightening torque (Nm)
ASG 732 6	5–6	0.1
ASG 732 7	6–7	0.1
ASG 732 8	7–8	0.1
ASG 732 10	8–10	0.1
ASG 732 12	10–12	0.1
ASG 733 14	12–14	0.2
ASG 732 17	14–17	0.2
ASG 732 20	17–20	0.3
ASG 732 25	20–25	0.3
ASG 732 30	25–30	0.5
ASG 732 36	30–36	0.5
ASG 732 44	36–44	0.5
ASG 732 53	44–53	0.75
ASG 733 63	53–63	0.75



Type ASL 733

- 1 Upper part
- 2 Upper part beading
- 3 Base
- 4 Slot for fastening
- 5 "Rib" base

ASL 733	Clamping range	G, FT, ALU, V2A, V4A	
		Max. tightening torque (Nm) – ALU	Max. tightening torque (Nm) – FT/G/A2/A4
ASL 733 10	8–10	0.1	0.15
ASL 733 12	10–12	0.1	0.15
ASL 733 14	12–14	0.1	0.2
ASL 733 17	14–17	0.1	0.2
ASL 733 20	17–20	0.15	0.3
ASL 733 25	20–25	0.15	0.3
ASL 733 30	25–30	0.25	0.5
ASL 733 36	30–36	0.25	0.5
ASL 733 44	36–44	0.25	0.5
ASL 733 53	44–53	0.3	0.75
ASL 733 63	53–63	0.3	0.75

Key list

ASG 732 and ASL 733

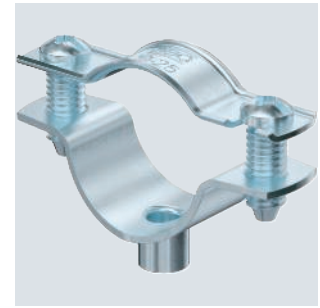
Item number, old	Type, old	Item number, new	Type, new
		1362354	ASG 732 6 FT
		1362356	ASG 732 7 FT
		1362358	ASG 732 8 FT
		1362360	ASG 732 10 FT
		1362362	ASG 732 12 FT
		1362364	ASG 732 14 FT
		1362367	ASG 732 17 FT
		1362369	ASG 732 20 FT
		1362372	ASG 732 25 FT
		1362374	ASG 732 30 FT
		1362378	ASG 732 36 FT
		1362382	ASG 732 44 FT
		1362386	ASG 732 53 FT
		1362389	ASG 732 63 FT
1360051	732 6 GTP	1362404	ASG 732 6 G
		1362406	ASG 732 7 G
1360086	732 8 GTP	1362408	ASG 732 8 G
1360108	732 10 GTP	1362410	ASG 732 10 G
1360124	732 12 GTP	1362412	ASG 732 12 G
1360140	732 14 GTP	1362414	ASG 732 14 G
1360159	732 15 GTP	1362417	ASG 732 17 G
1360167	732 16 GTP		
1360183	732 18 GTP	1362420	ASG 732 20 G
1360205	732 20 GTP		
1360221	732 22 GTP	1362424	ASG 732 25 G
1360248	732 24 GTP		
1360264	732 26 GTP	1362428	ASG 732 30 G
1360280	732 28 GTP		
1360302	732 30 GTP		
1360337	732 33 GTP	1362432	ASG 732 36 G
1360353	732 35 GTP		
1360388	732 38 GTP		
1360396	732 40 GTP	1362436	ASG 732 44 G
1360426	732 42 GTP		
1360450	732 45 GTP		
1360485	732 48 GTP	1362440	ASG 732 53 G
1360507	732 50 GTP		
1360604	732 60 GTP	1362444	ASG 732 63 G
1360639	732 63 GTP		
1360644	732 6 V4A	1362454	ASG 732 6 A4
		1362456	ASG 732 7 A4
1360646	732 8 V4A	1362458	ASG 732 8 A4
1360648	732 10 V4A	1362460	ASG 732 10 A4
1360650	732 12 V4A	1362462	ASG 732 12 A4
1360652	732 14 V4A	1362464	ASG 732 14 A4

Item number, old	Type, old	Item number, new	Type, new
1360654	732 15 V4A	1362467	ASG 732 17 A4
1360656	732 16 V4A		
1360658	732 18 V4A	1362469	ASG 732 20 A4
1360660	732 20 V4A		
1360662	732 22 V4A	1362472	ASG 732 25 A4
1360664	732 24 V4A		
1360666	732 26 V4A	1362474	ASG 732 30 A4
1360668	732 28 V4A		
1360670	732 30 V4A	1362478	ASG 732 36 A4
1360672	732 33 V4A		
1360676	732 38 V4A	1362482	ASG 732 44 A4
1360678	732 40 V4A		
1360680	732 42 V4A		
1360682	732 45 V4A	1362486	ASG 732 53 A4
1360684	732 48 V4A		
1360686	732 50 V4A		
1360688	732 60 V4A	1362489	ASG 732 63 A4
1360690	732 63 V4A		
		1362622	ASG 732 6 A2
		1362624	ASG 732 7 A2
		1362626	ASG 732 8 A2
		1362628	ASG 732 10 A2
		1362630	ASG 732 12 A2
		1362632	ASG 732 14 A2
		1362634	ASG 732 17 A2
		1362636	ASG 732 20 A2
		1362638	ASG 732 25 A2
		1362640	ASG 732 30 A2
		1362642	ASG 732 36 A2
		1362644	ASG 732 44 A2
		1362646	ASG 732 53 A2
		1362648	ASG 732 63 A2
		1362704	ASL 733 10 FT
		1362706	ASL 733 12 FT
1361091	733 13 FT	1362708	ASL 733 14 FT
1361094	733 16 FT	1362712	ASL 733 17 FT
1361097	733 19 FT	1362714	ASL 733 20 FT
1361100	733 21 FT	1362718	ASL 733 25 FT
1361103	733 23 FT		
1361106	733 29 FT	1362722	ASL 733 30 FT
1361109	733 38 FT	1362726	ASL 733 36 FT
1361112	733 48 FT	1362730	ASL 733 44 FT
1361115	733 54 FT	1362734	ASL 733 53 FT
1361117	733 61 FT	1362738	ASL 733 63 FT
1361118	733 63 FT		
		1362754	ASL 733 10 G
		1362756	ASL 733 12 G
1361139	733 13 G	1362758	ASL 733 14 G
1361163	733 16 G	1362762	ASL 733 17 G
1361198	733 19 G	1362764	ASL 733 20 G

Item number, old	Type, old	Item number, new	Type, new
1361201	733 21 G	1362768	ASL 733 25 G
1361236	733 23 G		
1361295	733 29 G	1362772	ASL 733 30 G
1361384	733 38 G	1362776	ASL 733 36 G
1361481	733 48 G	1362780	ASL 733 44 G
1361511	733 54 G	1362784	ASL 733 53 G
1361619	733 61 G	1362788	ASL 733 63 G
1361635	733 63 G		
		1362804	ASL 733 10 ALU
		1362806	ASL 733 12 ALU
		1362808	ASL 733 14 ALU
1362526	733 16 ALU	1362812	ASL 733 17 ALU
1362534	733 19 ALU	1362814	ASL 733 20 ALU
1362542	733 21 ALU	1362818	ASL 733 25 ALU
1362569	733 29 ALU		
1362577	733 38 ALU	1362822	ASL 733 30 ALU
1362585	733 48 ALU	1362826	ASL 733 36 ALU
1362593	733 54 ALU	1362830	ASL 733 44 ALU
1362615	733 63 ALU	1362834	ASL 733 53 ALU
		1362838	ASL 733 63 ALU
		1362904	ASL 733 10 A4
		1362906	ASL 733 12 A4
1361643	733 13 V4A	1362908	ASL 733 14 A4
1361647	733 16 V4A	1362912	ASL 733 17 A4
1361651	733 19 V4A	1362914	ASL 733 20 A4
1361655	733 21 V4A	1362918	ASL 733 25 A4
1361659	733 23 V4A		
1361663	733 29 V4A	1362922	ASL 733 30 A4
1361667	733 38 V4A	1362926	ASL 733 36 A4
1361671	733 48 V4A	1362930	ASL 733 44 A4
1361675	733 54 V4A	1362934	ASL 733 53 A4
1361679	733 61 V4A	1362938	ASL 733 63 A4
1361683	733 63 V4A		
		1362976	ASL 733 10 A2
		1362978	ASL 733 12 A2
		1362980	ASL 733 14 A2
1362011	733 16 VA	1362982	ASL 733 17 A2
1362038	733 19 VA	1362984	ASL 733 20 A2
1362046	733 21 VA	1362986	ASL 733 25 A2
1362054	733 23 VA		
1362062	733 29 VA	1362988	ASL 733 30 A2
1362070	733 38 VA	1362990	ASL 733 36 A2
1362089	733 48 VA	1362992	ASL 733 44 A2
1362097	733 54 VA	1362994	ASL 733 53 A2
1362100	733 61 VA	1362996	ASL 733 63 A2
1362127	733 63 VA		

Spacer clip 732

St Steel
G Electrogalvanised

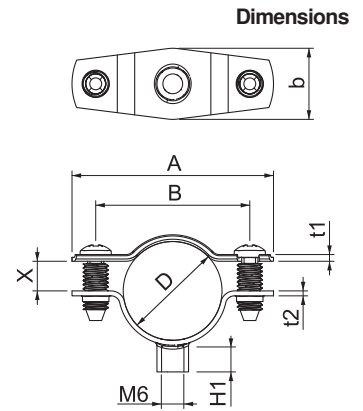


Type	Clamping range D mm	Pack Piece	Weight kg/100 pc.	Item no.
ASG 732 6 G	5-6	25	1.325	1362404
ASG 732 7 G	6-7	25	1.341	1362406
ASG 732 8 G	7-8	25	1.349	1362408
ASG 732 10 G	8-10	25	1.504	1362410
ASG 732 12 G	10-12	25	1.567	1362412
ASG 732 14 G	12-14	25	1.638	1362414
ASG 732 17 G	14-17	25	1.793	1362417
ASG 732 20 G	17-20	25	1.895	1362420
ASG 732 25 G	20-25	25	2.145	1362424
ASG 732 30 G	25-30	20	3.157	1362428
ASG 732 36 G	30-36	20	3.664	1362432
ASG 732 44 G	36-44	20	4.002	1362436
ASG 732 53 G	44-53	20	4.713	1362440
ASG 732 63 G	53-63	20	5.231	1362444

0116

Steel bolt material.
 *Size M16 is not suitable for nail guns.
 *Sizes M16 - PG16 not suitable for bolt-firing device.

Type	Clamping range D mm	Dim-ension A mm	Dim-ension B mm	Dimension x mm	Dimension b mm	Dimension t1 mm	Dimension t2 mm	Dimension H1 mm
ASG 732 6 G	5-6	35	23	1.5	18	1	1.25	6.5
ASG 732 7 G	6-7	35	23	1.5	18	1	1.25	6.5
ASG 732 8 G	7-8	35	23	1.5	18	1	1.25	6.5
ASG 732 10 G	8-10	37	25	3	18	1	1.25	6.5
ASG 732 12 G	10-12	39	27	3	18	1	1.25	6.5
ASG 732 14 G	12-14	41	29	3	18	1	1.25	6.5
ASG 732 17 G	14-17	44	32	4.5	18	1	1.25	6.5
ASG 732 20 G	17-20	47	35	4.5	18	1	1.25	6.5
ASG 732 25 G	20-25	51	39	7.5	18	1	1.25	6.5
ASG 732 30 G	25-30	59	45	7.5	18	1.5	1.5	6.5
ASG 732 36 G	30-36	65	51	9	18	1.5	1.5	6.5
ASG 732 44 G	36-44	73	59	12	18	1.5	1.5	6.5
ASG 732 53 G	44-53	84	70	13.5	18	1.5	1.5	6.5
ASG 732 63 G	53-63	94	80	15	18	1.5	1.5	6.5



Spacer clip 732

St Steel
FT Hot-dip galvanised

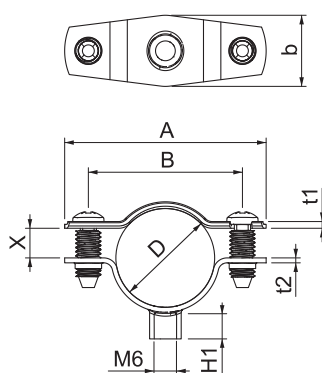


Type	Clamping range D mm	Pack Piece	Weight kg/100 pc.	Item no.
ASG 732 6 FT	5-6	25	1.398	1362354
ASG 732 7 FT	6-7	25	1.415	1362356
ASG 732 8 FT	7-8	25	1.424	1362358
ASG 732 10 FT	8-10	25	1.585	1362360
ASG 732 12 FT	10-12	25	1.653	1362362
ASG 732 14 FT	12-14	25	1.729	1362364
ASG 732 17 FT	14-17	25	1.892	1362367
ASG 732 20 FT	17-20	25	2.002	1362369
ASG 732 25 FT	20-25	25	2.261	1362372
ASG 732 30 FT	25-30	20	3.309	1362374
ASG 732 36 FT	30-36	20	3.840	1362378
ASG 732 44 FT	36-44	20	4.197	1362382
ASG 732 53 FT	44-53	20	4.942	1362386
ASG 732 63 FT	53-63	20	5.492	1362389

0116

Steel bolt material.
 *Size M16 is not suitable for nail guns.
 *Sizes M16 - PG16 not suitable for bolt-firing device.

Dimensions



Type	Clamping range D mm	Dim-ension A mm	Dim-ension B mm	Dimension x mm	Dimen-sion b mm	Dimen-sion t1 mm	Dimen-sion t2 mm	Dimen-sion H1 mm
ASG 732 6 FT	5-6	35	23	1.5	18	1	1.25	6.5
ASG 732 7 FT	6-7	35	23	1.5	18	1	1.25	6.5
ASG 732 8 FT	7-8	35	23	1.5	18	1	1.25	6.5
ASG 732 10 FT	8-10	37	25	3	18	1	1.25	6.5
ASG 732 12 FT	10-12	39	27	3	18	1	1.25	6.5
ASG 732 14 FT	12-14	41	29	3	18	1	1.25	6.5
ASG 732 17 FT	14-17	44	32	4.5	18	1	1.25	6.5
ASG 732 20 FT	17-20	47	35	4.5	18	1	1.25	6.5
ASG 732 25 FT	20-25	51	39	7.5	18	1	1.25	6.5
ASG 732 30 FT	25-30	59	45	7.5	18	1.5	1.5	6.5
ASG 732 36 FT	30-36	65	51	9	18	1.5	1.5	6.5
ASG 732 44 FT	36-44	73	59	12	18	1.5	1.5	6.5
ASG 732 53 FT	44-53	84	70	13.5	18	1.5	1.5	6.5
ASG 732 63 FT	53-63	94	80	15	18	1.5	1.5	6.5

VA Stainless steel, rustproof 1.4301



Spacer clip 732 A2

Type	Clamping range D mm	Pack Piece	Weight kg/100 pc.	Item no.
ASG 732 6 A2	5-6	25	1.537	1362622
ASG 732 7 A2	6-7	25	1.553	1362624
ASG 732 8 A2	7-8	25	1.561	1362626
ASG 732 10 A2	8-10	25	1.749	1362628
ASG 732 12 A2	10-12	25	1.796	1362630
ASG 732 14 A2	12-14	25	1.859	1362632
ASG 732 17 A2	14-17	25	2.007	1362634
ASG 732 20 A2	17-20	25	2.110	1362636
ASG 732 25 A2	20-25	25	2.361	1362638
ASG 732 30 A2	25-30	20	3.321	1362640
ASG 732 36 A2	30-36	20	3.728	1362642
ASG 732 44 A2	36-44	20	4.099	1362644
ASG 732 53 A2	44-53	20	4.781	1362646
ASG 732 63 A2	53-63	20	5.301	1362648

0116



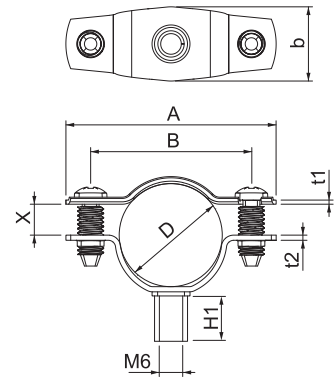
Steel bolt material.

*Size M16 is not suitable for nail guns.

*Sizes M16 - PG16 not suitable for bolt-firing device.

Type	Clamping range D mm	Dimension A mm	Dimension B mm	Dimension x mm	Dimension b mm	Dimension t1 mm	Dimension t2 mm	Dimension H1 mm
ASG 732 6 A2	5-6	35	23	1.5	18	1	1.25	12
ASG 732 7 A2	6-7	35	23	1.5	18	1	1.25	12
ASG 732 8 A2	7-8	35	23	1.5	18	1	1.25	12
ASG 732 10 A2	8-10	37	25	3	18	1	1.25	12
ASG 732 12 A2	10-12	39	27	3	18	1	1.25	12
ASG 732 14 A2	12-14	41	29	3	18	1	1.25	12
ASG 732 17 A2	14-17	44	32	4.5	18	1	1.25	12
ASG 732 20 A2	17-20	47	35	4.5	18	1	1.25	12
ASG 732 25 A2	20-25	51	39	7.5	18	1.5	1.5	12
ASG 732 30 A2	25-30	59	45	7.5	18	1.5	1.5	12
ASG 732 36 A2	30-36	65	51	9	18	1.5	1.5	12
ASG 732 44 A2	36-44	73	59	12	18	1.5	1.5	12
ASG 732 53 A2	44-53	84	70	13.5	18	1.5	1.5	12
ASG 732 63 A2	53-63	94	80	15	18	1.5	1.5	12

Dimensions



Spacer clip 732 A4

VA Stainless steel, rustproof 1.4571



Type	Clamping range D mm	Pack Piece	Weight kg/100 pc.	Item no.
ASG 732 6 A4	5-6	25	1.558	1362454
ASG 732 7 A4	6-7	25	1.574	1362456
ASG 732 8 A4	7-8	25	1.582	1362458
ASG 732 10 A4	8-10	25	1.773	1362460
ASG 732 12 A4	10-12	25	1.821	1362462
ASG 732 14 A4	12-14	25	1.885	1362464
ASG 732 17 A4	14-17	25	2.035	1362467
ASG 732 20 A4	17-20	25	2.139	1362469
ASG 732 25 A4	20-25	25	2.394	1362472
ASG 732 30 A4	25-30	20	3.370	1362474
ASG 732 36 A4	30-36	20	3.782	1362478
ASG 732 44 A4	36-44	20	4.158	1362482
ASG 732 53 A4	44-53	20	4.851	1362486
ASG 732 63 A4	53-63	20	5.379	1362489

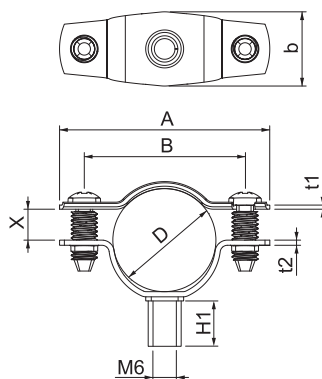
0116

Steel bolt material.

*Size M16 is not suitable for nail guns.

*Sizes M16 - PG16 not suitable for bolt-firing device.

Dimensions



Type	Clamping range D mm	Dimension A mm	Dimension B mm	Dimension x mm	Dimension b mm	Dimension t1 mm	Dimension t2 mm	Dimension H1 mm
ASG 732 6 A4	5-6	35	23	1.5	18	1	1.25	12
ASG 732 7 A4	6-7	35	23	1.5	18	1	1.25	12
ASG 732 8 A4	7-8	35	23	1.5	18	1	1.25	12
ASG 732 10 A4	8-10	37	25	3	18	1	1.25	12
ASG 732 12 A4	10-12	39	27	3	18	1	1.25	12
ASG 732 14 A4	12-14	41	29	3	18	1	1.25	12
ASG 732 17 A4	14-17	44	32	4.5	18	1	1.25	12
ASG 732 20 A4	17-20	47	35	4.5	18	1	1.25	12
ASG 732 25 A4	20-25	51	39	7.5	18	1	1.25	12
ASG 732 30 A4	25-30	59	45	7.5	18	1.5	1.5	12
ASG 732 36 A4	30-36	65	51	9	18	1.5	1.5	12
ASG 732 44 A4	36-44	73	59	12	18	1.5	1.5	12
ASG 732 53 A4	44-53	84	70	13.5	18	1.5	1.5	12
ASG 732 63 A4	53-63	94	80	15	18	1.5	1.5	12

Spacer clip 733

- St** Steel
 - G** Electrogalvanised
- 

Type	Clamping range D mm	Pack Piece	Weight kg/100 pc.	Item no.
ASL 733 10 G	8-10	25	1.794	1362754
ASL 733 12 G	10-12	25	1.857	1362756
ASL 733 14 G	12-14	25	1.936	1362758
ASL 733 17 G	14-17	25	2.099	1362762
ASL 733 20 G	17-20	25	2.201	1362764
ASL 733 25 G	20-25	25	2.419	1362768
ASL 733 30 G	25-30	20	3.401	1362772
ASL 733 36 G	30-36	20	3.774	1362776
ASL 733 44 G	36-44	20	4.151	1362780
ASL 733 53 G	44-53	20	5.616	1362784
ASL 733 63 G	53-63	20	6.212	1362788

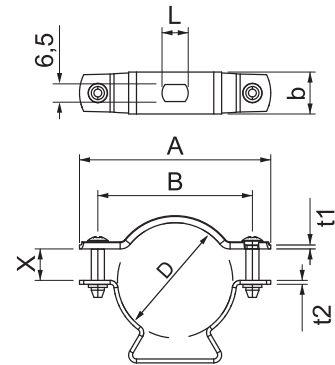
0116




Steel bolt material.
 *Size M16 is not suitable for nail guns.
 *Sizes M16 - PG16 not suitable for bolt-firing device.

Type	Dimension A mm	Dimension B mm	Dimension x mm	Dimension t1 mm	Dimension t2 mm	Dimension L mm	Dimension b mm
ASL 733 10 G	37	25	3	1	1.5	10	16
ASL 733 12 G	39	27	3	1	1.5	10	14
ASL 733 14 G	41	29	3	1	1.5	10	14
ASL 733 17 G	44	32	4.5	1	1.5	10	14
ASL 733 20 G	47	35	4.5	1	1.5	10	14
ASL 733 25 G	51	39	7.5	1	1.5	10	14
ASL 733 30 G	59	45	7.5	1.5	1.5	10	16
ASL 733 36 G	65	51	9	1.5	1.5	10	16
ASL 733 44 G	73	59	12	1.5	1.5	10	16
ASL 733 53 G	84	70	13.5	1.5	2	10	16
ASL 733 63 G	94	80	15	1.5	2	10	16

Dimensions



Spacer clip 733

St Steel
FT Hot-dip galvanised


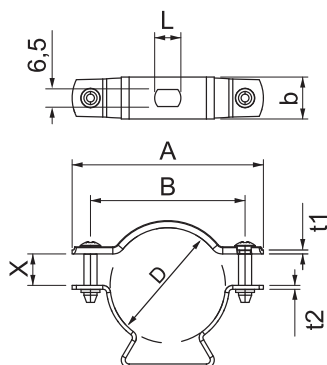


Type	Clamping range D		Bolt	Pack Piece	Weight kg/100 pc.	Item no.
	mm					
ASL 733 10 FT	8-10	–		25	1.883	1362704
ASL 733 12 FT	10-12	–		25	1.951	1362706
ASL 733 14 FT	12-14	–		25	2.035	1362708
ASL 733 17 FT	14-17	–		25	2.206	1362712
ASL 733 20 FT	17-20	–		25	2.315	1362714
ASL 733 25 FT	20-25	–		25	2.540	1362718
ASL 733 30 FT	25-30	–		20	3.567	1362722
ASL 733 36 FT	30-36	–		20	3.956	1362726
ASL 733 44 FT	36-44	–		20	4.356	1362730
ASL 733 53 FT	44-53	–		20	5.850	1362734
ASL 733 63 FT	53-63	–		20	6.477	1362738

0116

Steel bolt material.
 *Size M16 is not suitable for nail guns.
 *Sizes M16 - PG16 not suitable for bolt-firing device.

Dimensions



Type	Dimension A mm	Dimension B mm	Dimension x mm	Dimension t1 mm	Dimension t2 mm	Dimension L mm	Dimension b mm
ASL 733 10 FT	37	25	3	1	1.5	10	16
ASL 733 12 FT	39	27	3	1	1.5	10	14
ASL 733 14 FT	41	29	3	1	1.5	10	14
ASL 733 17 FT	44	32	4.5	1	1.5	10	14
ASL 733 20 FT	47	35	4.5	1	1.5	10	14
ASL 733 25 FT	51	39	7.5	1	1.5	10	14
ASL 733 30 FT	59	45	7.5	1.5	1.5	10	16
ASL 733 36 FT	65	51	9	1.5	1.5	10	16
ASL 733 44 FT	73	59	12	1.5	1.5	10	16
ASL 733 53 FT	84	70	13.5	1.5	2	10	16
ASL 733 63 FT	94	80	15	1.5	2	10	16

Spacer clip 733 ALU

Alu Aluminium



Type	Clamping range D mm	Bolt	Pack Piece	Weight kg/100 pc.	Item no.
ASL 733 10 ALU	8-10	–	25	0.917	1362804
ASL 733 12 ALU	10-12	–	25	0.938	1362806
ASL 733 14 ALU	12-14	–	25	0.965	1362808
ASL 733 17 ALU	14-17	–	25	1.062	1362812
ASL 733 20 ALU	17-20	–	25	1.097	1362814
ASL 733 25 ALU	20-25	–	25	1.254	1362818
ASL 733 30 ALU	25-30	–	20	1.592	1362822
ASL 733 36 ALU	30-36	–	20	1.802	1362826
ASL 733 44 ALU	36-44	–	20	1.931	1362830
ASL 733 53 ALU	44-53	–	20	2.537	1362834
ASL 733 63 ALU	53-63	–	20	2.742	1362838

0116



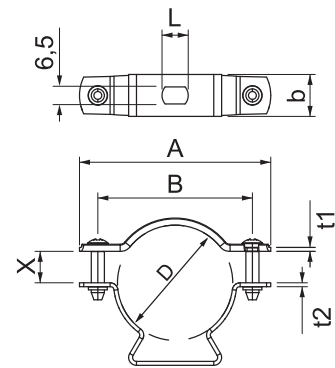
Steel bolt material.

*Size M16 is not suitable for nail guns.

*Sizes M16 - PG16 not suitable for bolt-firing device.

Type	Dimension A mm	Dimension B mm	Dimension x mm	Dimension t1 mm	Dimension t2 mm	Dimension L mm	Dimension b mm
ASL 733 10 ALU	37	25	3	1	1.5	10	16
ASL 733 12 ALU	39	27	3	1	1.5	10	14
ASL 733 14 ALU	41	29	3	1	1.5	10	14
ASL 733 17 ALU	44	32	4.5	1	1.5	10	14
ASL 733 20 ALU	47	35	4.5	1	1.5	10	14
ASL 733 25 ALU	51	39	7.5	1	1.5	10	14
ASL 733 30 ALU	59	45	7.5	1.5	1.5	10	16
ASL 733 36 ALU	65	51	9	1.5	1.5	10	16
ASL 733 44 ALU	73	59	12	1.5	1.5	10	16
ASL 733 53 ALU	84	70	13.5	1.5	2	10	16
ASL 733 63 ALU	94	80	15	1.5	2	10	16

Dimensions



Spacer clip 733 A2

VA Stainless steel, rustproof 1.4301



Type	Clamping range D		Bolt	Pack Piece	Weight kg/100 pc.	Item no.
	mm					
ASL 733 10 A2	8-10	–		25	1.804	1362976
ASL 733 12 A2	10-12	–		25	1.867	1362978
ASL 733 14 A2	12-14	–		25	1.946	1362980
ASL 733 17 A2	14-17	–		25	2.110	1362982
ASL 733 20 A2	17-20	–		25	2.213	1362984
ASL 733 25 A2	20-25	–		25	2.432	1362986
ASL 733 30 A2	25-30	–		20	3.416	1362988
ASL 733 36 A2	30-36	–		20	3.792	1362990
ASL 733 44 A2	36-44	–		20	4.170	1362992
ASL 733 53 A2	44-53	–		20	5.643	1362994
ASL 733 63 A2	53-63	–		20	6.242	1362996

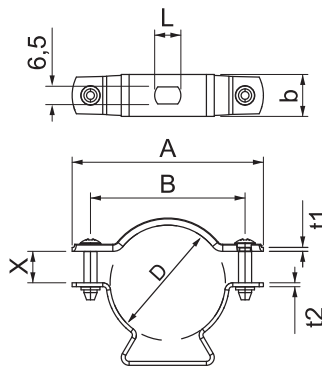
0116

Steel bolt material.

*Size M16 is not suitable for nail guns.

*Sizes M16 - PG16 not suitable for bolt-firing device.

Dimensions



Type	Dimension A mm	Dimension B mm	Dimension x mm	Dimension t1 mm	Dimension t2 mm	Dimension L mm	Dimension b mm
ASL 733 10 A2	37	25	3	1	1.5	10	16
ASL 733 12 A2	39	27	3	1	1.5	10	14
ASL 733 14 A2	41	29	3	1	1.5	10	14
ASL 733 17 A2	44	32	4.5	1	1.5	10	14
ASL 733 20 A2	47	35	4.5	1	1.5	10	14
ASL 733 25 A2	51	39	7.5	1	1.5	10	14
ASL 733 30 A2	59	45	7.5	1.5	1.5	10	16
ASL 733 36 A2	65	51	9	1.5	1.5	10	16
ASL 733 44 A2	73	59	12	1.5	1.5	10	16
ASL 733 53 A2	84	70	13.5	1.5	2	10	16
ASL 733 63 A2	94	80	15	1.5	2	10	16

Spacer clip 733 V4A

VA Stainless steel, rustproof 1.4571



Type	Clamping range D		Bolt	Pack Piece	Weight kg/100 pc.	Item no.
	mm					
ASL 733 10 A4	8-10	–		25	1.828	1362904
ASL 733 12 A4	10-12	–		25	1.893	1362906
ASL 733 14 A4	12-14	–		25	1.973	1362908
ASL 733 17 A4	14-17	–		25	2.139	1362912
ASL 733 20 A4	17-20	–		25	2.243	1362914
ASL 733 25 A4	20-25	–		25	2.466	1362918
ASL 733 30 A4	25-30	–		20	3.466	1362922
ASL 733 36 A4	30-36	–		20	3.846	1362926
ASL 733 44 A4	36-44	–		20	4.230	1362930
ASL 733 53 A4	44-53	–		20	5.723	1362934
ASL 733 63 A4	53-63	–		20	6.331	1362938

0116



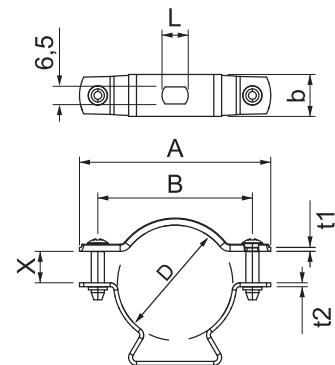
Steel bolt material.

*Size M16 is not suitable for nail guns.

*Sizes M16 - PG16 not suitable for bolt-firing device.

Type	Dimen- sion A mm	Dimen- sion B mm	Dimension x mm	Dimen- sion t1 mm	Dimen- sion t2 mm	Dimen- sion L mm	Dimen- sion b mm
ASL 733 10 A4	37	25	3	1	1.5	10	16
ASL 733 12 A4	39	27	3	1	1.5	10	14
ASL 733 14 A4	41	29	3	1	1.5	10	14
ASL 733 17 A4	44	32	4.5	1	1.5	10	14
ASL 733 20 A4	47	35	4.5	1	1.5	10	14
ASL 733 25 A4	51	39	7.5	1	1.5	10	14
ASL 733 30 A4	59	45	7.5	1.5	1.5	10	16
ASL 733 36 A4	65	51	9	1.5	1.5	10	16
ASL 733 44 A4	73	59	12	1.5	1.5	10	16
ASL 733 53 A4	84	70	13.5	1.5	2	10	16
ASL 733 63 A4	94	80	15	1.5	2	10	16

Dimensions



OBO Bettermann Holding GmbH & Co. KG

P.O. Box 1120
58694 Menden
GERMANY

Customer Service

Tel.: +49 (0)23 73 89 - 17 00
Fax: +49 (0)23 73 89 - 12 38
export@obo.de

www.obo-bettermann.com

© OBO Bettermann 11/2020 EN

Building Connections

